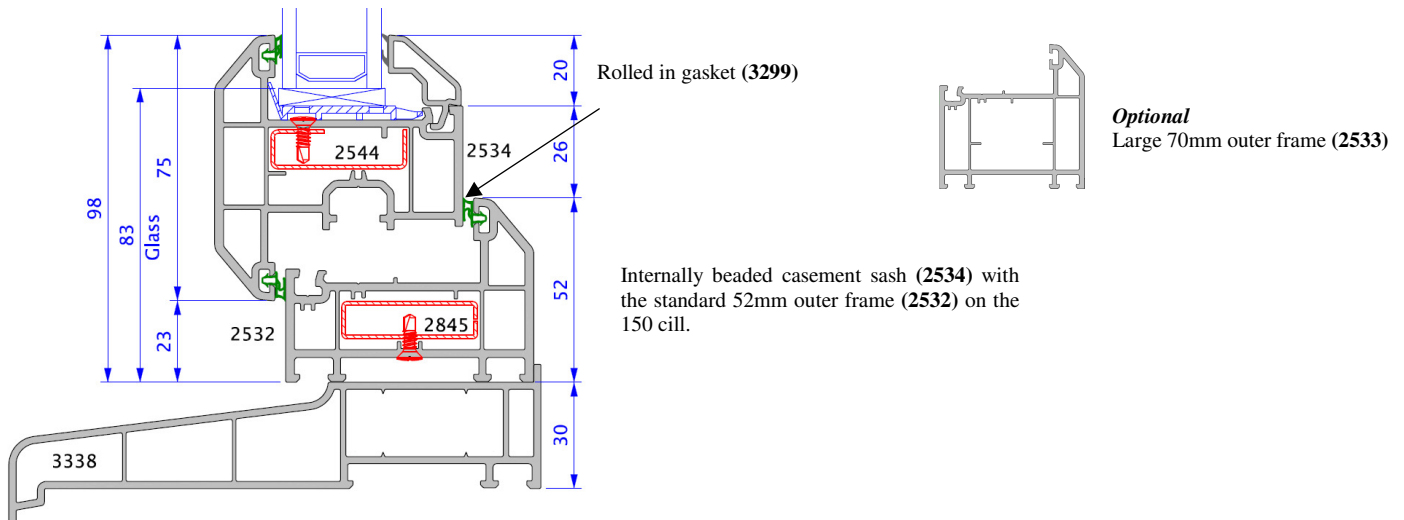


Fortress 70 - Chamfered Casement Window



Standard Specification for internally beaded

- Standard Deceuninck 70mm profile in accordance with BS7413
- Available in White, Rosewood, Rosewood on white, Sherwood, Sherwood on white
- All profiles have grey low sightline rolled in gasket and weather-seal, 3299
- Standard chamfered outer frame, 2532 (55mm face)
- Internally beaded chamfered sash, 2534 (74mm face)
- Standard 28mm chamfered bead with co-extruded grey gasket, 2840
- Push button to release 'Matrix' locking handles (35mm spindle)
- Fully welded outer frame transom and mullions
- All welded joints are grooved on white and knifed on laminates
- Concealed or face drainage
- Stainless steel hinges
- Shoot bolts locking standard

OPTIONS

- Optional wide chamfered outer frame, 2533 (70mm face)
- Espag locking
- 28mm double glazed sealed units manufactured to BS5713
- Night ventilation facility (4000mm or 2x4000mm)
- Claw locks

REINFORCEMENT SPECIFICATION

- Mild galvanised steel to BS 2989
- Outer frame > 1500mm (unsupported)
- Transom > fully reinforced
- Sashes > 1000mm

All reinforcement (where applicable) is continuous, i.e. pushed through the welds.